



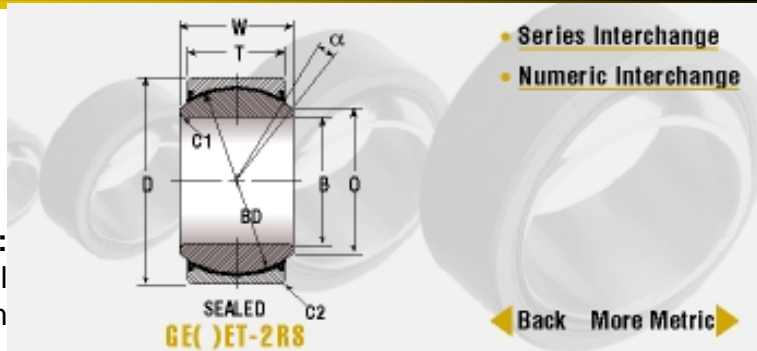
request a quote

Spherical Plain Bearings:

- inch series
- ◀ **metric series**
- interchange tables
- engineering

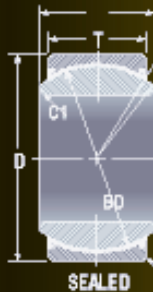
Features:

- Hard chrome plated ball
- Teflon® liner system



LOAD SERIES SELF-LUBRICATING METRIC SEALED

Ball Bore Diam. B		Part No RFQ per item	Outside Diam (1) D		Ball Width W		Race Width T		Ball Diam BD	Tilt Angle α	Shldr Diam O	Shaft Fillet C1	Hsng Fillet C2	Radial Loads (2)	
Nom MM	Tol		Nom	Tol	Nom	Tol	Nom	Tol						Ref	Deg
		With Seals													
35	-.012	GE35ET-2RS	55	-.013	25	-.120	20	-.300	47	6	37.9	.6	1.0	50,500	25,250
40	-.012	GE40ET-2RS	62	-.013	28	-.120	22	-.300	53	6	43.0	.6	1.0	63,050	31,550
45	-.012	GE45ET-2RS	68	-.013	32	-.120	25	-.300	60	7	48.8	.6	1.0	81,050	40,550
50	-.012	GE50ET-2RS	75	-.013	35	-.120	28	-.300	66	6	53.9	.6	1.0	99,050	49,550
60	-.015	GE60ET-2RS	90	-.015	44	-.150	36	-.400	80	6	65.5	1.0	1.0	156,400	77,675
70	-.015	GE70ET-2RS	105	-.015	49	-.150	40	-.400	92	6	75.6	1.0	1.0	198,050	99,050
80	-.015	GE80ET-2RS	120	-.015	55	-.150	45	-.400	105	5	85.9	1.0	1.0	256,550	128,300
90	-.020	GE90ET-2RS	130	-.018	60	-.200	50	-.500	115	5	96.0	1.0	1.0	308,300	156,400
100	-.020	GE100ET-2RS	150	-.018	70	-.200	55	-.500	130	6	106.4	1.0	1.0	389,300	194,675
110	-.020	GE110ET-2RS	160	-.025	70	-.200	55	-.500	140	6	116.5	1.0	1.0	418,550	209,300
120	-.020	GE120ET-2RS	180	-.025	85	-.200	70	-.500	160	6	127.5	1.0	1.0	607,550	301,550
140	-.025	GE140ET-2RS	210	-.030	90	-.250	70	-.600	180	7	147.0	1.0	1.0	675,100	337,550
160	-.025	GE160ET-2RS	230	-.030	105	-.250	80	-.600	200	8	167.5	1.0	1.0	856,000	434,300
180	-.025	GE180ET-2RS	260	-.035	105	-.250	80	-.700	225	6	189.0	1.0	1.0	968,000	486,100
200	-.030	GE200ET-2RS	290	-.035	130	-.300	100	-.700	250	7	209.5	1.0	1.0	1,350,100	675,050
220	-.030	GE220ET-2RS	320	-.040	135	-.300	100	-.800	275	8	229.5	1.0	1.0	1,473,800	753,800
240	-.030	GE240ET-2RS	340	-.040	140	-.300	100	-.800	300	8	249.5	1.0	1.0	1,620,500	810,100
260	-.035	GE260ET-2RS	370	-.040	150	-.350	110	-.800	325	7	270.0	1.0	1.0	1,946,300	967,550
280	-.035	GE280ET-2RS	400	-.040	155	-.350	120	-.800	350	6	290.5	1.0	1.0	2,250,200	1,126,000
300	-.035	GE300ET-2RS	430	-.045	165	-.350	120	-.900	377	7	310.5	1.0	1.0	2,430,100	1,216,000



Nom	Tol	With Seals	Nom	Tol	Nom	Tol	Nom	Tol	Ref	Deg	Ref	Max	Max	Static	Dyn
Ball Bore Diam. B		Part No RFQ per item	Outside Diam (1) D		Ball Width W		Race Width T		Ball Diam BD	Tilt Angle α	Shldr Diam O	Shaft Fillet C1	Hsng Fillet C2	Radial Loads (2)	

- (1) All tolerances in this catalog are before the outer races are fractured and before application of dry film lubricant
- (2) Ultimate loads for the bearings in this catalog are approximately 1.5 times the catalog load ratings

All dimensions are metric.

GENERAL SERIES INTERCHANGE • LOAD SERIES SELF-LUBRICATING METRIC SEALED

LOAD SERIES METRIC		NATIONAL	R.B.C.	SKF	TORRINGTON	ELGES	IKO
Self Lubricating	Sealed	GE () ET-2RS	MB () -FSS	GE () TE-2RS	-	GE () UK-2RS	GE () EC-2RS

- For numeric bore size conversion between manufacturers see numerical interchange table.



NATIONAL PRECISION BEARING GROUP
of Mechatronics, Inc.

Phone: 800-426-8038 • 425-222-5900 • Fax: 888-448-1153 • 425-222-5950

E-mail: sales@nationalprecision.com

[Purchase Order Terms and Conditions](#)

[Sales Order Terms and Conditions](#)

Copyright © 2008, National Precision Bearing, Inc.

